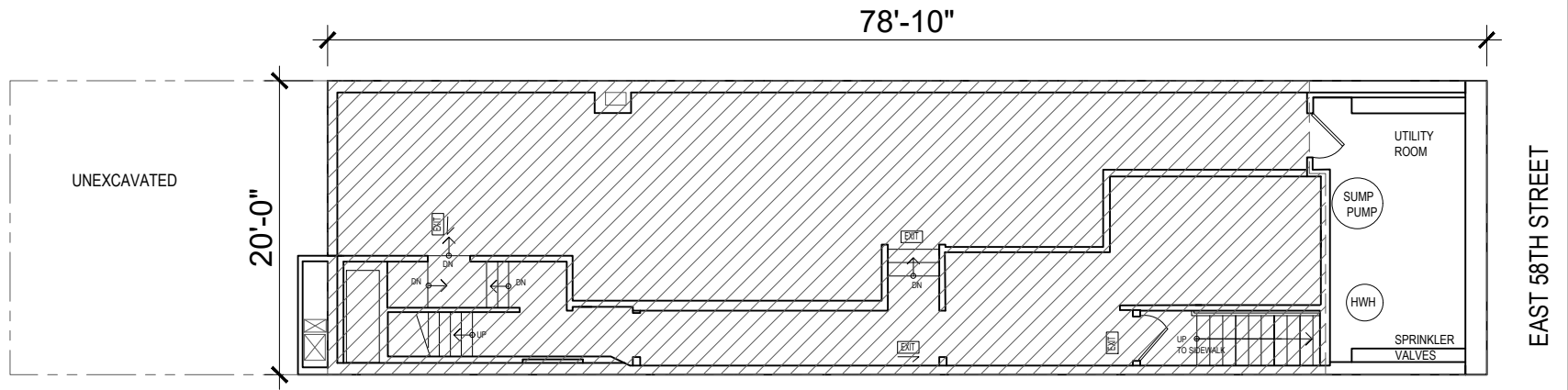


C:\USERS\JERRY\DROPBOX\JOBS\FRIEDLAND\14 EAST 58\LEASING\14 EAST 58ST LEASING.DWG

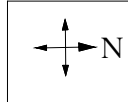


FRIEDLAND PROPERTIES
 500 PARK AVENUE
 11TH FLOOR
 NEW YORK, NY 10025
 +1 (212) 744-3300
 +1 (212) 744-1989

RENTAL PLAN FOR:
14 EAST 58TH STREET
 NEW YORK, NY

THESE DRAWINGS ARE:

CELLAR PLAN



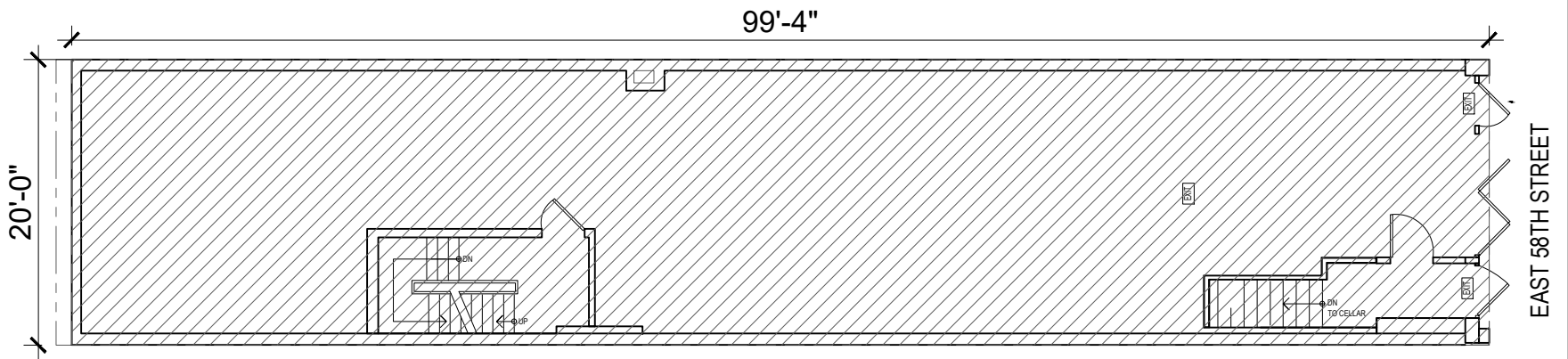
DWG NAME:
14 EAST 58ST - LEASING

DATE: 6/16/23

SCALE:
 $\frac{1}{8}'' = 1'-0''$

THIS DIAGRAM IS SOLELY FOR THE PURPOSES OF IDENTIFYING THE PREMISES. ALL DIMENSIONS ARE APPROXIMATE. THE LANDLORD MAKES NO REPRESENTATION AS TO THE DIMENSIONS AND THE SQUARE FOOTAGE OF THE PREMISES.

C:\USERS\JERRY\DROPBOX\JOBS\FRIEDLAND\14 EAST 58\LEASING\14 EAST 58ST LEASING.DWG



FRIEDLAND PROPERTIES
 500 PARK AVENUE
 11TH FLOOR
 NEW YORK, NY 10025
 +1 (212) 744-3300
 +1 (212) 744-1989

RENTAL PLAN FOR:
14 EAST 58TH STREET
 NEW YORK, NY

THESE DRAWINGS ARE:

FIRST FLOOR



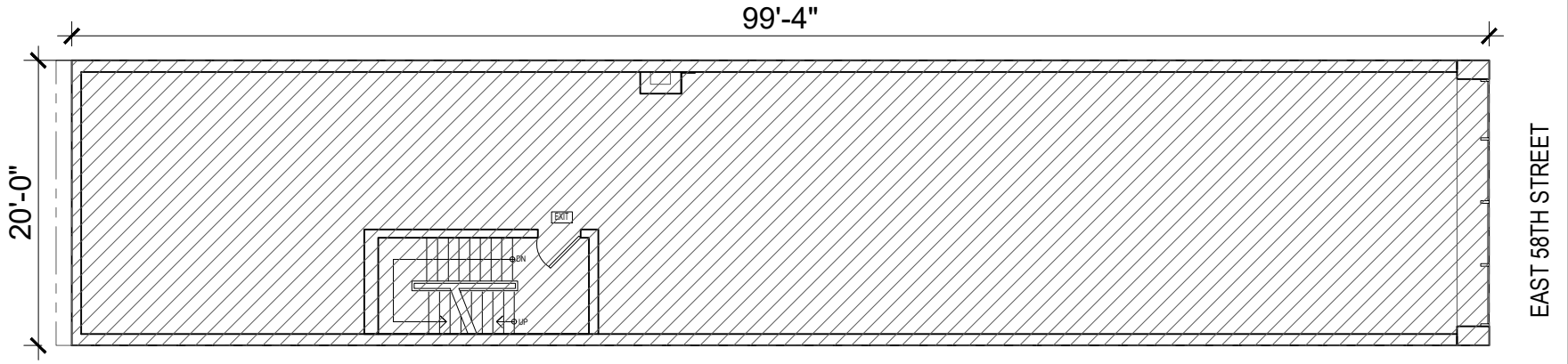
DWG NAME:
14 EAST 58ST - LEASING

DATE:
 6/16/23

SCALE:
 $\frac{1}{8}'' = 1'-0''$

THIS DIAGRAM IS SOLELY FOR THE PURPOSES OF IDENTIFYING THE PREMISES. ALL DIMENSIONS ARE APPROXIMATE. THE LANDLORD MAKES NO REPRESENTATION AS TO THE DIMENSIONS AND THE SQUARE FOOTAGE OF THE PREMISES.

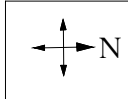
C:\USERS\JERRY\DROPBOX\JOBS\FRIEDLAND\14 EAST 58\LEASING\14 EAST 58ST LEASING.DWG



FRIEDLAND PROPERTIES
 500 PARK AVENUE
 11TH FLOOR
 NEW YORK, NY 10025
 +1 (212) 744-3300
 +1 (212) 744-1989

RENTAL PLAN FOR:
14 EAST 58TH STREET
 NEW YORK, NY

THESE DRAWINGS ARE:
SECOND FLOOR



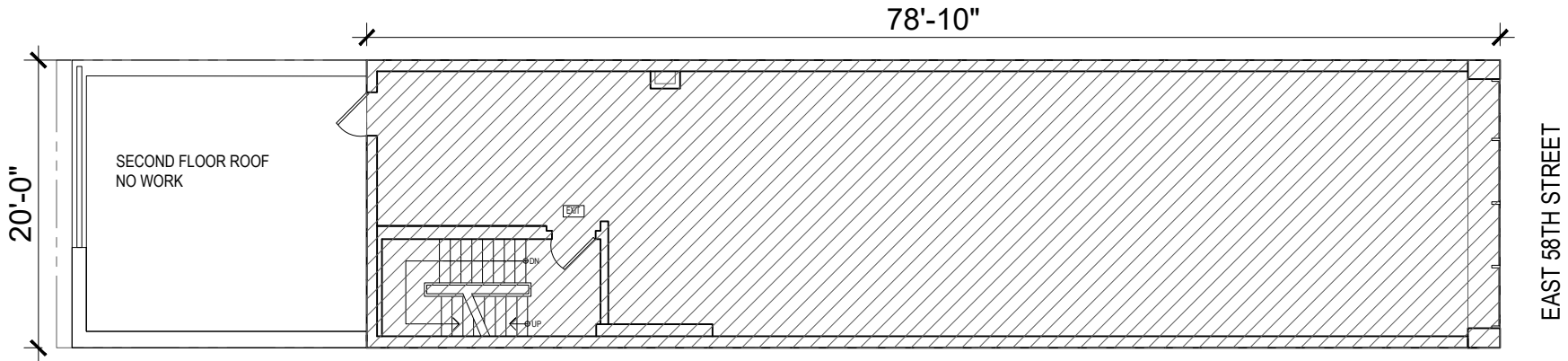
DWG NAME:
14 EAST 58ST - LEASING

DATE: 6/16/23

SCALE:
 $\frac{1}{8}'' = 1'-0''$

THIS DIAGRAM IS SOLELY FOR THE PURPOSES OF IDENTIFYING THE PREMISES. ALL DIMENSIONS ARE APPROXIMATE. THE LANDLORD MAKES NO REPRESENTATION AS TO THE DIMENSIONS AND THE SQUARE FOOTAGE OF THE PREMISES.

C:\USERS\JERRY\DROPBOX\JOBS\FRIEDLAND\14 EAST 58\LEASING\14 EAST 58ST LEASING.DWG



**FRIEDLAND
PROPERTIES**
500 PARK AVENUE
11TH FLOOR
NEW YORK, NY 10025
+1 (212) 744-3300
+1 (212) 744-1989

RENTAL PLAN FOR:
**14 EAST 58TH STREET
NEW YORK, NY**

THESE DRAWINGS ARE:

THIRD FLOOR



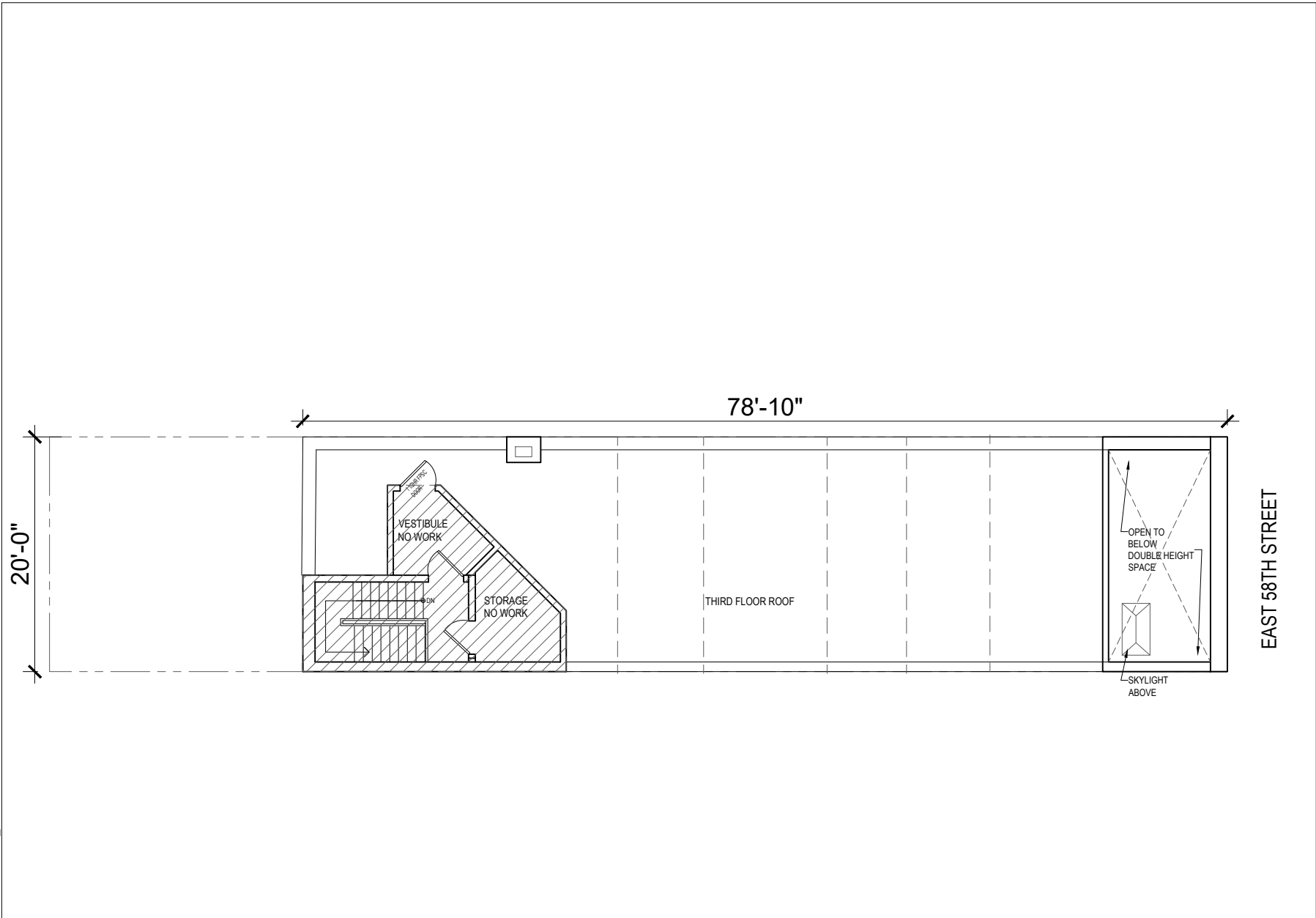
DWG NAME:
14 EAST 58ST - LEASING

DATE:
6/16/23

SCALE:
1/8"=1'-0"

THIS DIAGRAM IS SOLELY FOR THE PURPOSES OF IDENTIFYING THE PREMISES. ALL DIMENSIONS ARE APPROXIMATE. THE LANDLORD MAKES NO REPRESENTATION AS TO THE DIMENSIONS AND THE SQUARE FOOTAGE OF THE PREMISES.

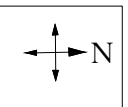
C:\USERS\JERRY\DROPBOX\JOBS\FRIEDLAND\14 EAST 58\LEASING\14 EAST 58ST LEASING.DWG




FRIEDLAND PROPERTIES
 500 PARK AVENUE
 11TH FLOOR
 NEW YORK, NY 10025
 +1 (212) 744-3300
 +1 (212) 744-1989

RENTAL PLAN FOR:
14 EAST 58TH STREET
 NEW YORK, NY

THESE DRAWINGS ARE:
ROOF FLOOR PLAN



DWG NAME:
14 EAST 58ST - LEASING

DATE: 6/16/23

SCALE:
 $\frac{1}{8}'' = 1'-0''$

THIS DIAGRAM IS SOLELY FOR THE PURPOSES OF IDENTIFYING THE PREMISES. ALL DIMENSIONS ARE APPROXIMATE. THE LANDLORD MAKES NO REPRESENTATION AS TO THE DIMENSIONS AND THE SQUARE FOOTAGE OF THE PREMISES.